

FLOW RATE INDICATOR / TOTALIZER

WITH PULSE SIGNAL OUTPUT



D-Series advantages

- Unique, robust IP66, IP67 (NEMA Type4X) panel mount front enclosure made of die cast aluminum, allowing even **big jets** of water and **total immersion**.
- Programming can be done by your own crew with the exact same, plain and sensible menu-driven structure like the F-Series, saving cost and irritation. **Know one, know them all!**

Features

- Displays flow rate, total and accumulated total.
- Large 17mm (0.67") digits for flow rate or total.
- Auto backup of settings and running totals.
- Ambient temperature -40°C up to +80°C (-40°F up to 176°F).
- LED backlight option.
- Input loop powered, battery powered or 8 - 30V DC, 24V AC and 115 - 230V AC.
- Sensor supply 1.2 / 3 / 8.2 / 12 / 24V DC.

Signal output

- Scaled pulse output according to accumulated total, available as passive signal, active signal or a robust, highly isolated (NO/NC) relay.

Signal input

Flow

- Reed-switch.
- NAMUR.
- NPN/PNP pulse.
- Sine wave (coil).
- Active pulse signals.
- (0)4 - 20mA.
- 0 - 10V DC.

Applications

- The D-Series is a DIN-sized display and the **better alternative** for your existing, not waterproof, front panel mount indicators in extreme weather outdoor applications or e.g. in food industries where working environments are often cleaned with powerful water jets.
- The Do14 fits in flow measurement applications where re-transmission of the totalizer function is required. Alternative basic models: Do10, Do11, Do12, Do13, more advanced Do16 or the F-Series flow rate indicators.

General information

Introduction

The Do14 is a local, panel mount indicator to display the actual flow rate, total and accumulated total. The total can be reset to zero by pressing the CLEAR button twice. The eleven digit accumulated total however can not be reset to zero. Related to the accumulated total, a scaled pulse is generated for re-transmitting the count on the display.

Display

The display has large 17mm segments which can be set to show total or flow rate. On-screen engineering units are easily configured from a comprehensive menu, whilst different units for flow rate and total can be displayed simultaneously. The accumulated total can register up to 11 digits and is backed-up in EEPROM memory where it is regularly updated. The display is a transfective type, which means that a high contrast reading is guaranteed, even in full sunlight. A smart display update function achieves a readable display even at -40°C / -40°F .

Backlight

For those applications where readability during day and night is an issue, a white backlight is available. The intensity can be adjusted in the configuration menu.

Configuration

All configuration settings are accessed via a simple operator menu which can be password protected. Each setting is clearly indicated with an alphanumerical description, which avoids confusing abbreviations. Once familiar with one D-series product, you will be able to program **all models in all series** without a manual. All settings are safely stored in EEPROM memory in the event of sudden power failure.

Pulse output

The scaleable pulse output reflects the count on the accumulated display. The pulse length is user defined from 0.001 second up to 10 seconds. The maximum output frequency is 500Hz. The output signal can be a passive NPN, active PNP or a robust, highly isolated electro-mechanical relay (NO/NC).

Signal input

The Do14 accepts most pulse and analog input signals for volumetric flow or mass flow measurement. The input signal type can be selected by the user in the configuration menu without having to adjust any sensitive mechanical dip-switches, jumpers or trimmers. The analog input is available with linear and square root calculation and even as 4 - 20mA input loop powered.

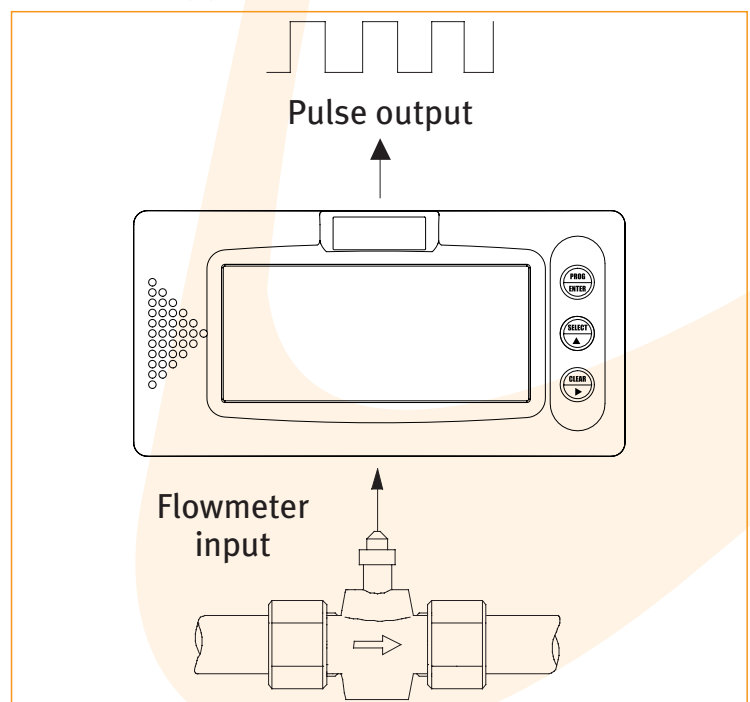
Power requirements

The basic power supply for the Do14 is 8 - 30V DC. Several other power supplies are possible: With the 24V AC/DC and 115 - 230V AC power supplies, an 8.2 / 12 / 24V DC sensor supply is offered. For analog sensors, a 4 - 20mA input loop powered version is available. Finally we offer a long life lithium battery with a life expectancy that will last up to five years.

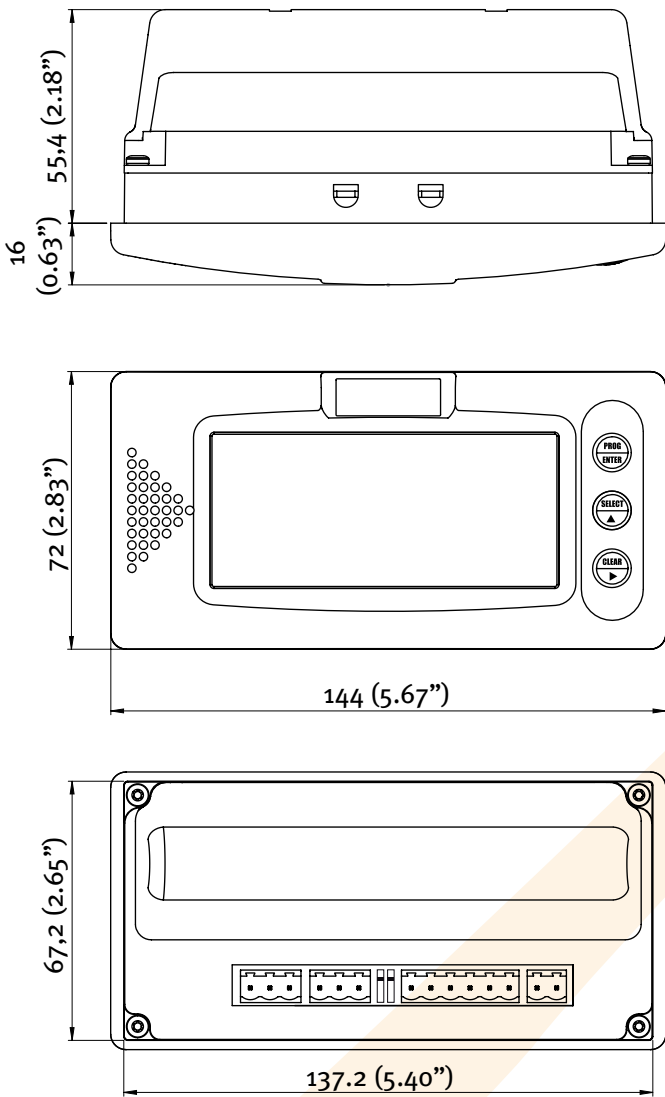
Enclosure

The Do14 is supplied in a unique, robust IP66, IP67 (NEMA Type4X) class panel mount front enclosure made of die cast aluminum, based on a popular DIN sized enclosure of 144 x 72mm. The front enclosure withstands powerful water jets and even total immersion. The maximum thickness of the panel is 6mm ($\frac{1}{4}$ "). The D-Series is the better alternative for your existing, not waterproof, front panel mounted indicators.

Overview application Do14

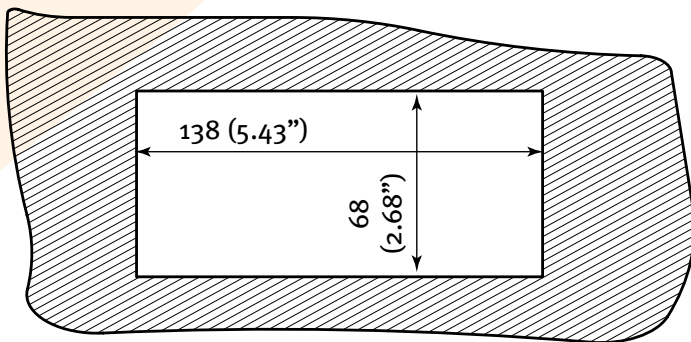


Dimensions enclosure



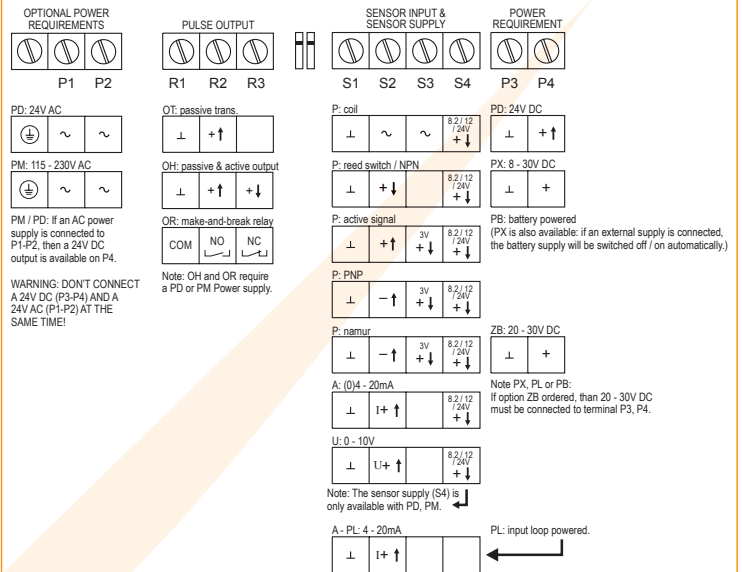
Dimensions according DIN 43700 / IEC 61554

Dimensions panel cut-out

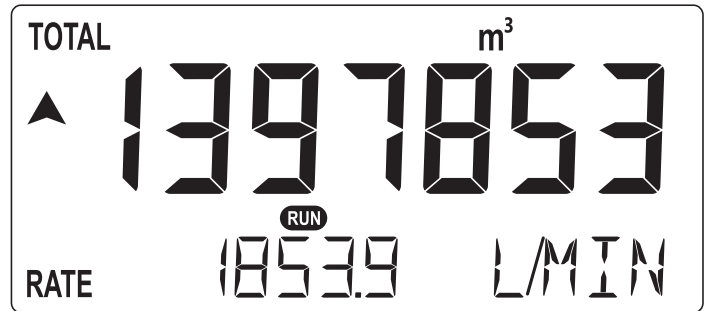


Maximum panel thickness: 6mm (1/4")

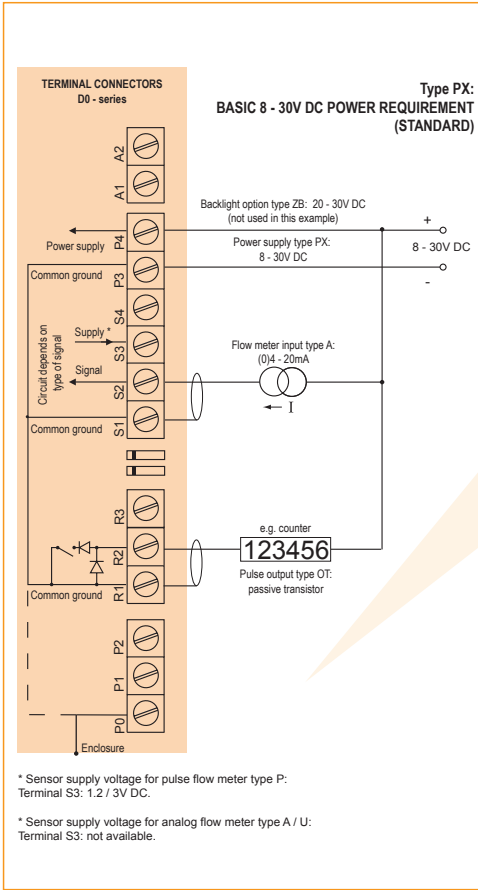
Terminal connections Do14



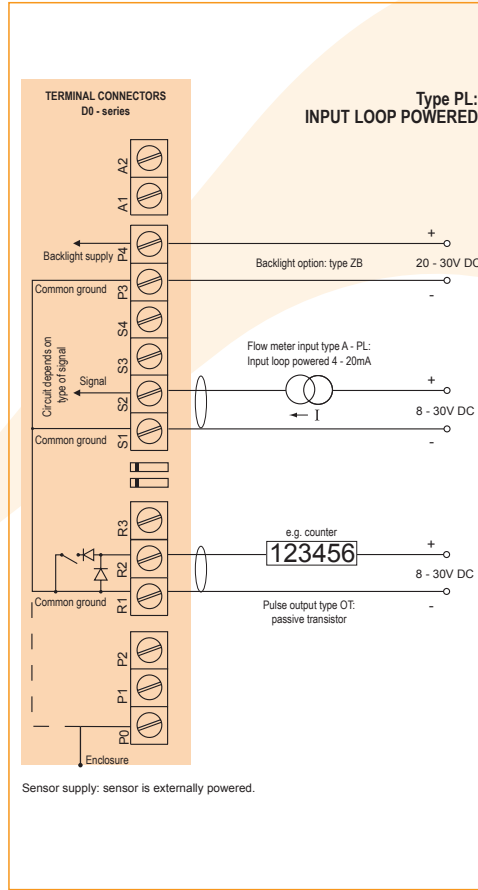
Display example - 90 x 40mm (3.5" x 1.6")



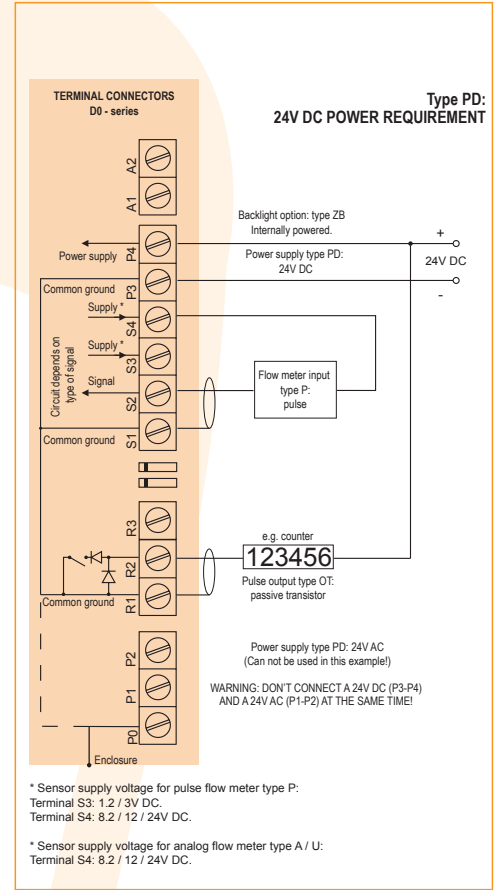
Wiring diagram Do14-A-OT-PX-(ZB)



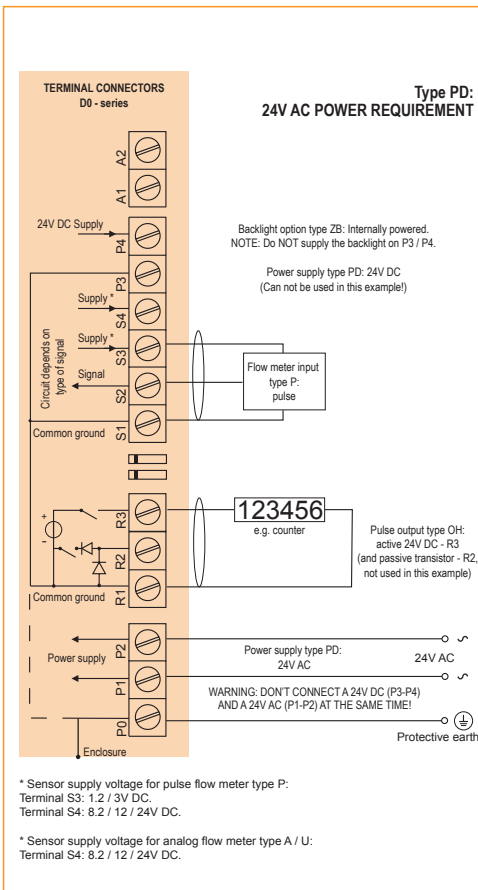
Wiring diagram Do14-A-OT-PL-ZB



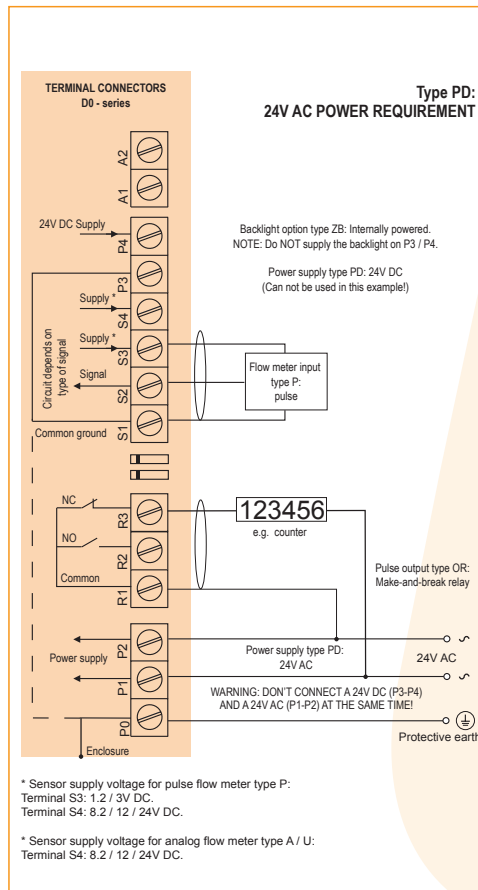
Wiring diagram Do14-P-OT-PD-ZB



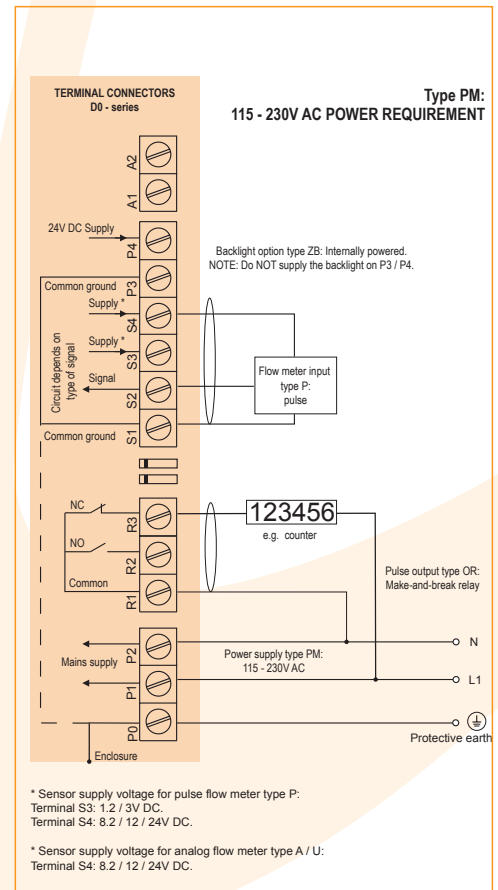
Wiring diagram Do14-P-OH-PD-ZB



Wiring diagram Do14-P-OR-PD-ZB



Wiring diagram Do14-P-OR-PM-ZB



Technical specification

General

Display	
Type	High intensity reflective numeric and alphanumeric LCD, UV-resistant.
Dimensions	90 x 40mm (3.5" x 1.6").
Digits	Seven 17mm (0.67") and eleven 8mm (0.31") digits. Various symbols and measuring units.
Refresh rate	User definable: fast, 1sec, 3sec, 15sec, 30sec, off.
Option ZB	Transflective LCD with white LED-backlight. Intensity can be adjusted in the configuration menu. Good readings in full sunlight and darkness.

Ambient temperature

Safe areas	-40°C to +80°C (-40°F to +176°F).
------------	-----------------------------------

Power requirements

Type PB	Long life Lithium battery - life-time depends upon settings and configuration - up to 5 years. (requires PL or PX)
Type PD	24V AC/DC ± 10%. Power consumption max. 10 Watt.
Type PL	Input loop powered from sensor signal 4 - 20mA (requires type A).
Type PM	115 - 230V AC ± 10%. Power consumption max. 15 Watt.
Type PX	8 - 30V DC. Power consumption max. 0.3 Watt.
Type ZB	20 - 30V DC. Power consumption max. 1 Watt. With type PD / PM: internally powered.

Sensor excitation

Type PB/PX	3V DC for pulse signals and 1.2V DC for coil pick-up.
Note	This is not a real sensor supply. Only suitable for sensors with a very low power consumption like coils (sine wave) and reed-switches.
Type PD / PM	for pulse signals: 1.2 / 3 / 8.2 / 12 / 24V DC For analog signals: 8.2 / 12 / 24V DC 8.2V DC, Iout max. 35mA @ 20°C. 12V DC, Iout max. 50mA @ 20°C. 24V DC, Iout max. 75mA @ 20°C. (this voltage can vary depending on the input supply voltage)
Note PD/PM	Total consumption of sensor, active output OH and backlight may not exceed 75mA @ 24V DC @ 20°C.

Data protection

Type	EEPROM backup of all settings. Data retention 10 years.
Password	Configuration settings can be password protected.

Directives & Standards

EMC	Directive 2014/30/EU, FCC 47 CFR part 15.
Low voltage	Directive 2014/35/EU.
RoHS	Directive 2011/65/EU.
IP & NEMA	EN 60529 & NEMA 250.

Enclosure

General	
Window	Polycarbonate window.
Sealing	Silicone.
Control keys	Three industrial micro-switch keys. UV-resistant silicone keypad.

Panel mount enclosure

Dimensions	144 x 72 x 71.4mm (5.67" x 2.83" x 2.81") - W x H x D according DIN 43700 / IEC 61554.
Panel cut-out	138 x 68mm (5.43" x 2.68") L x H.
Material	Die-cast aluminum front panel + GRP back enclosure
Protection	IP66, IP67 (NEMA Type4X) at the front-side.
Weight	325 gr.
Panel thickness	Max. 6mm (1/4").

Signal input

Flowmeter sensor	
Type P	Coil / sine wave (HI: 20mVpp or LO: 80mVpp - sensitivity selectable), NPN/PNP, open collector, reed-switch, Namur, active pulse signals 8.2 - 12 - 24V DC.
Frequency	Minimum 0Hz - maximum 7kHz for total and flow rate. Maximum frequency depends on signal type and internal low-pass filter. E.g. reed switch with low-pass filter: max. frequency 120Hz.
K-Factor	0.000010 - 9,999,999 with variable decimal position.
Low-pass filter	Available for all pulse signals.
Option ZF	coil sensitivity 10mVpp.
Option ZG	coil sensitivity 5mVpp.
Type A	(0)4 - 20mA. Analog input signal can be scaled to any desired range within 0 - 20mA.
Type U	0 - 10V DC. Analog input signal can be scaled to any desired range within 0 - 10V DC.
Accuracy	Resolution: 16 bit. Error < 0.01mA / ± 0.05% FS. Low level cut-off programmable.
Span	0.001 / 999,999 with variable decimal position.
Update time	Four times per second.
Voltage drop	Type A: max. 1V DC @ 20mA.
Voltage drop	Type A - PL (loop powered): max. 2.6V DC @ 20mA.
Load impedance	Type U: 3kΩ.
Relationship	Linear and square root calculation.
Note	For signal type A and U: external power to sensor is required; e.g. type PD / PM.

Signal output

Digital output	
Function	Pulse output - transmitting accumulated total.
Frequency	Max. 500Hz. Pulse length user definable between 1msec up to 10 seconds.
Type OH	<ul style="list-style-type: none"> Active 24V DC transistor output (PNP); Load max. 75mA. Requires PD/PM. Passive transistor output (NPN) - not isolated; Max. 24V DC - 300mA per output. Requires PD/PM.
Type OR	Isolated electro-mechanical relay (NO/NC). Req. PD/PM. Maximum resistive load: 2A @ 250V AC / 30V DC. Maximum inductive load: 0.5A (pilot duty applications)
Note OR	In case of inductive load, use RC snubbers.
Type OT	Passive transistor output (NPN) - not isolated. Max. 50V DC - 300mA per output.

Operational

Operator functions	
Displayed functions	<ul style="list-style-type: none"> Flow rate and / or total. Total and accumulated total. Total can be reset to zero by pressing the CLEAR-key twice.

Total	
Digits	7 digits.
Units	L, m ³ , GAL, USGAL, kg, lb, bbl, no unit.
Decimals	0 - 1 - 2 or 3.
Note	Total can be reset to zero.

Accumulated total	
Digits	11 digits.
Units / decimals	According to selection for total.
Note	Can not be reset to zero.

Flow rate	
Digits	7 digits.
Units	mL, L, m ³ , Gallons, kg, Ton, lb, bl, cf, RND, ft ³ , scf, Nm ³ , NL, igal - no units.
Decimals	0 - 1 - 2 or 3.
Time units	/sec - /min - /hr - /day.

Ordering information

Standard configuration: D014-P-HB-OT-PX-XX-ZX.

ordering information:	D014	-	-HB	-O	-P	-XX	-Z
Flowmeter input signal							
A	(0)4 - 20mA input.						
P	Pulse input: coil, npn, pnp, namur, reed-switch.						
U	0 - 10V DC input.						
Panel mount front enclosure - IP66, IP67 (NEMA Type4X)							
HB	Aluminum DIN 43700 / IEC 61554 front panel.						
Digital output signal							
OH	Active and passive transistor output - requires PD / PM.						
OR	Highly isolated mechanical relay output - requires PD / PM.						
OT	Passive transistor output - standard configuration.						
Power requirement							
PD	24V AC / DC + sensor supply.						
PL	Input loop powered from sensor signal 4 - 20mA - requires type A.						
PM	115 - 230V AC + sensor supply.						
PX	Basic power supply 8 - 30V DC (no real sensor supply).						
Additional battery supply (optional)							
PB	Lithium battery powered - requires PL or PX.						
Hazardous area							
XX	Safe area only.						
Other options							
ZB	Backlight.						
ZF	Coil input 10mVpp - requires type P.						
ZG	Coil input 5mVpp - requires type P.						
ZX	No options.						

The bold marked text contains the standard configuration.

Specifications are subject to change without notice.



Quality
ISO 9001

www.dekra-seal.com

Fluidwell bv
P.O. Box 6
5460 AA - Veghel - The Netherlands
Telephone: +31 (0)413 343 786
Telefax: +31 (0)413 363 443
email: displays@fluidwell.com
Internet: www.fluidwell.com

