

Assembly Instructions

ACE03

Stainless Steel Wall Mounting Plate

The ACE03 wall mounting plate enables an E-series Explosion proof display to be mounted easily onto walls. For pipe mounting, do use ACE04.

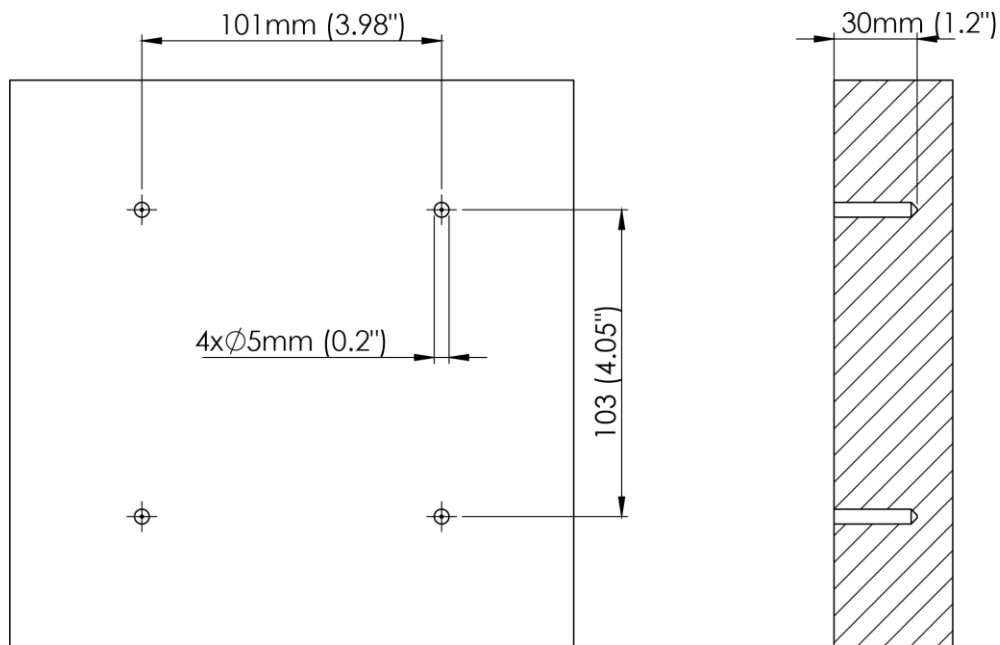
Each wall mounting kit consists of the following components:

Quantity	Description
1	stainless steel mounting plate
4	stainless steel bolts M6x12mm
4	plug $\varnothing 5 \times 25 \text{mm}$ ($\varnothing 0.2 \times 1$ ")
4	galvanized steel screw $\varnothing 3.5 \times 30 \text{mm}$ ($\varnothing 0.14 \times 1.18$ ")

Note: judge the application, the weight of the E-series Explosion proof display and consider the suitability of the supplied plugs and screws. Use alternative fixing material if required for the application.

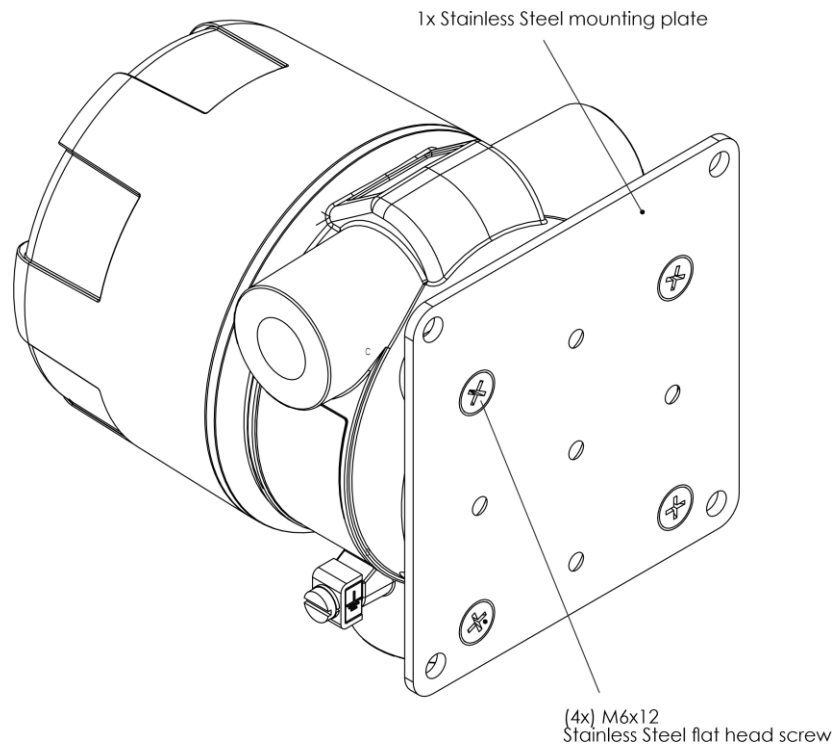
Assembly procedure

1. Drill four 5mm / 0.2" holes 30mm / 1.2" deep into the wall at the appropriate position.



2. Place the four plugs in the holes.

3. Place the enclosure on the mounting plate by using the four M6 bolts. Maximum force 6Nm.



4. Place the mounting plate with the screws to the wall.
Note: do use the appropriate force related to the wall and application.

